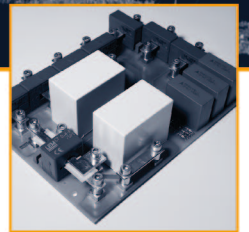


Solar Inverters / Plants Control & Safety

Systems Control & Protection



The Copenhagen climatic conference in 2009 and the earlier Kyoto protocol (adopted in 1997 and enforced as of 2005) committed different national governments to decrease their CO2 emissions.

One of the possible ways to achieve these goals is to increase the production of sustainable energy and to issue a grant for every initiative taken. Governments have decided to support efforts oriented towards energy savings and for sustainable energy. Of course, this explains the revived interest in solar energy.

Solar energy had already been a source of interest in the past due to profitability analysis. However the investments made were significantly higher than the value of the energy generated.

The government's commitments and today's electronic technologies have made this energy source a more profitable one.

In Europe for instance, 4500 MWp were generated by the solar plants in 2007 versus 3000 MWp in 2006, this is a growth of 50 % in one year!

Worldwide, 9 GWp were installed in 2007 including 3 GWp coming from Germany, a pioneer country leading the way for production and profitable energy generation from the sun.

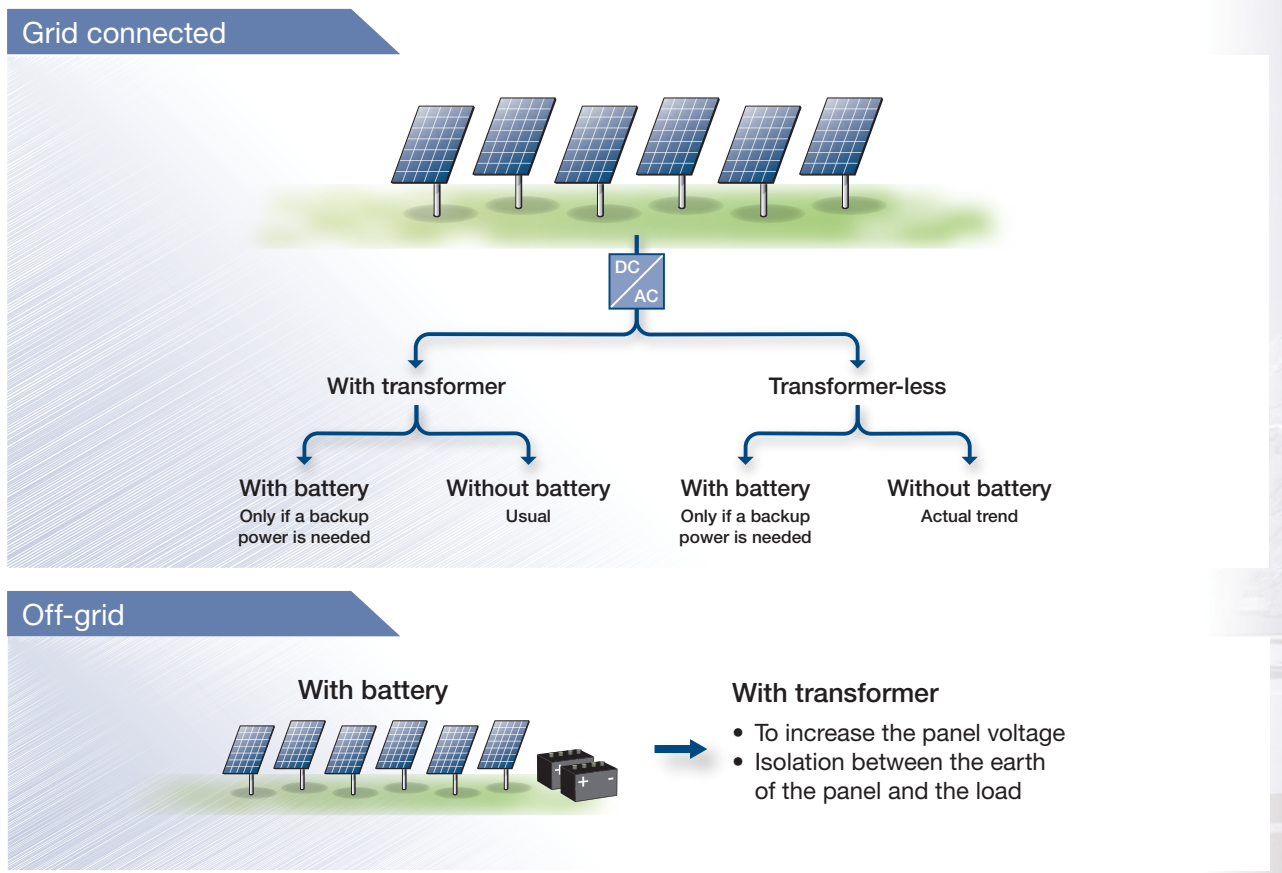
In 2008, 0.05 % of the global worldwide electricity was produced by solar energy.

This strong growth is mainly due to the national programs in USA, Japan and Germany.

The actual forecast is to produce 10.91 GWp from solar energy in 2012:

- 4.72 GWp in Europe (Germany as leader). Spain, Italy, France and Greece increase their solar installations due to strong governmental grants
- 2.55 GWp in USA
- 0.91 GWp in Japan: Here the growth will depend on the government decision to reintroduce the support program
- 0.91 GWp in South Korea and 0.73 GWp in India

About 90% of the energy produced by solar installations is connected to the grid by an inverter and called "grid-connected". The remaining 10 % which is not connected to an inverter is called "off-grid".

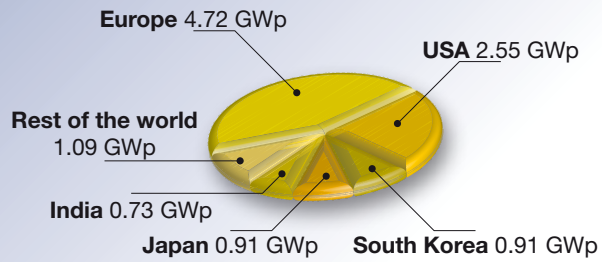


The off grid electricity is used to charge batteries needed for local applications. Regardless if “grid-connected” or “off-grid”, a current measurement is required.

The connection of the solar array through an inverter to the grid can be made either by using a transformer or directly without transformer, so called transformerless, meaning without galvanic isolation; and for both cases with or without battery.

Depending on the purpose (size, efficiency, weight, range, galvanic insulation), there is a choice of different inverters in the market today.

Solar production in 2012 - Forecast



Different inverter designs according to needs (Grid connected)

With transformer

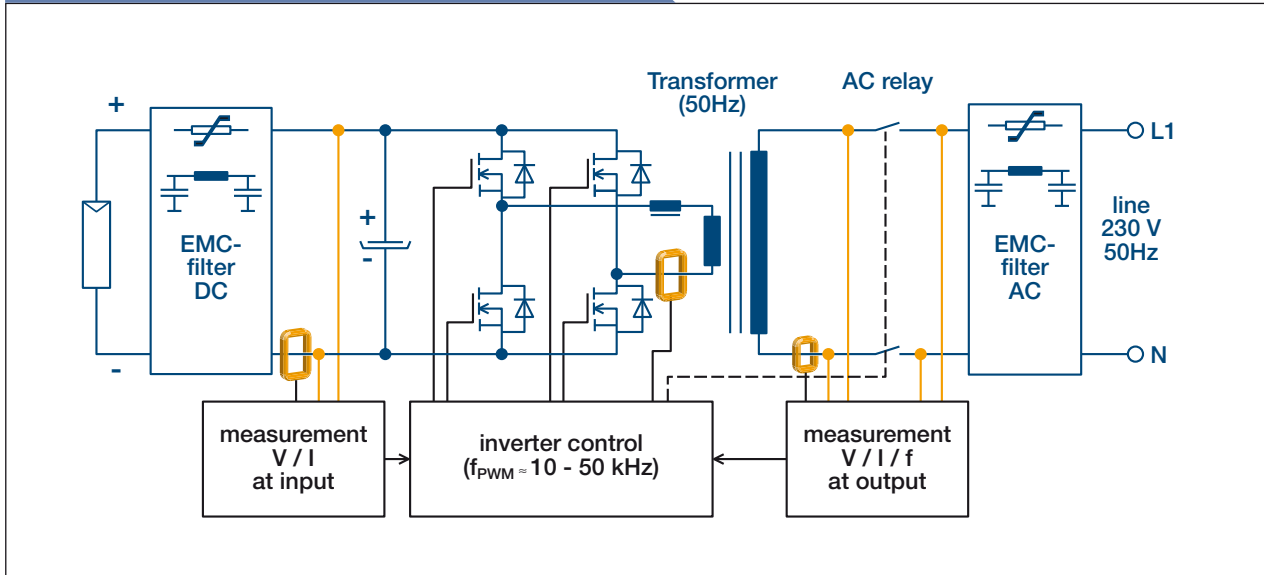


- Galvanic Insulation



- Lower efficiency

With low frequency transformer design

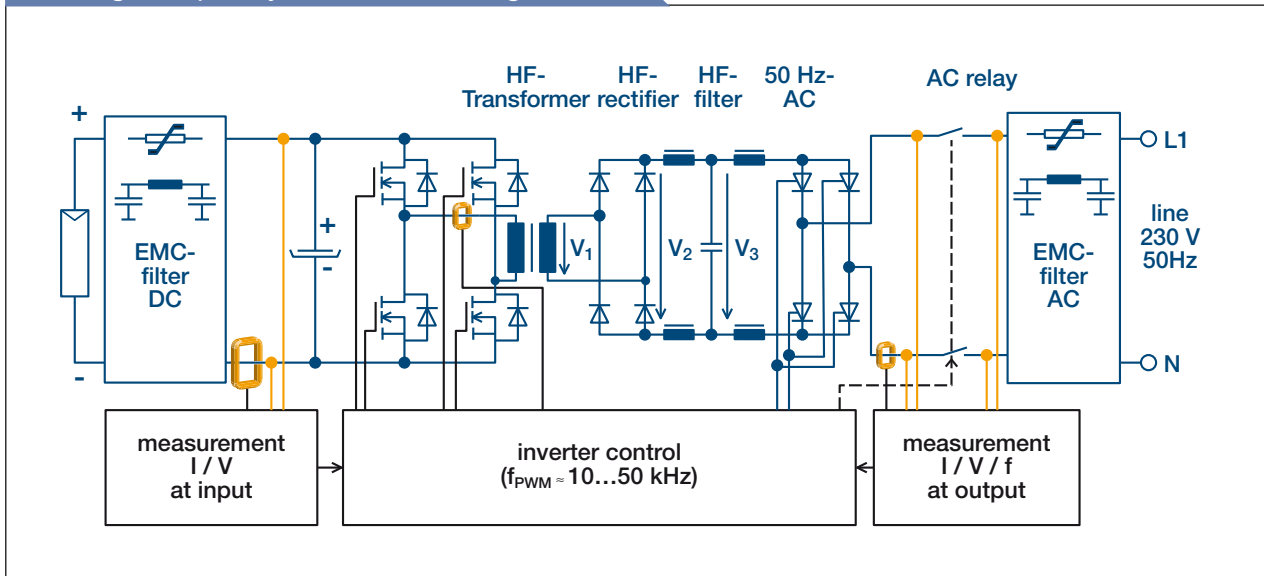


- No DC current injection in the grid
- Cost effective
- Reliable



- Big
- Heavy

With high frequency transformer design



- Small Size
- Light



- DC current injection in the Grid
- A lot of components -> Reliability

Different inverter designs according to needs (Grid connected)

Transformerless

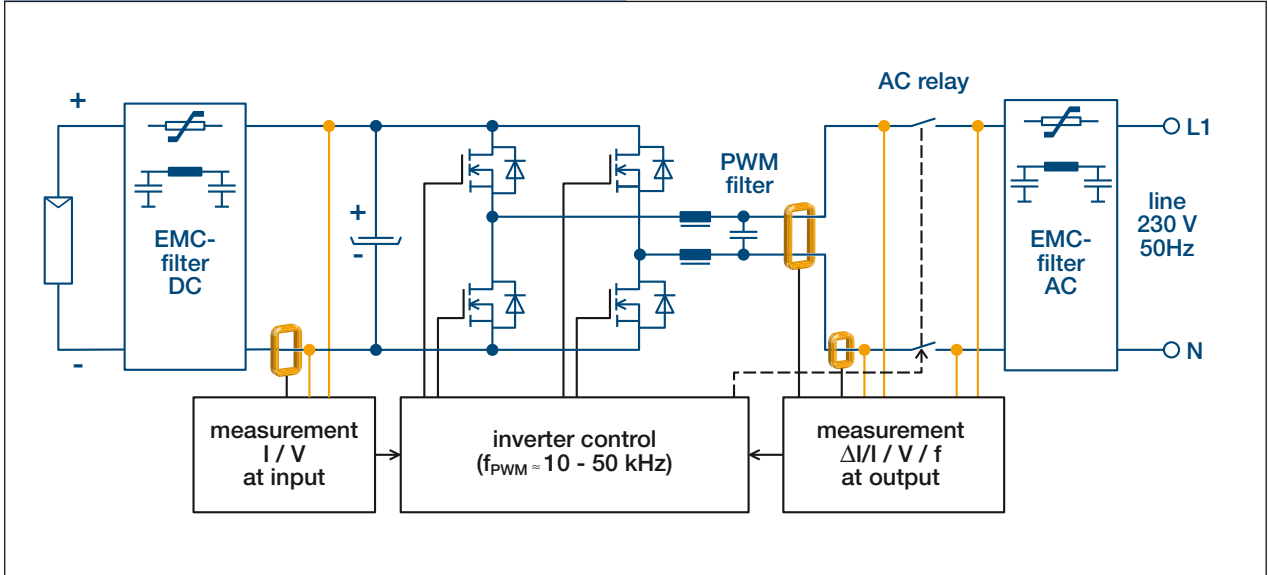


- Small Size
- Light
- High efficiency

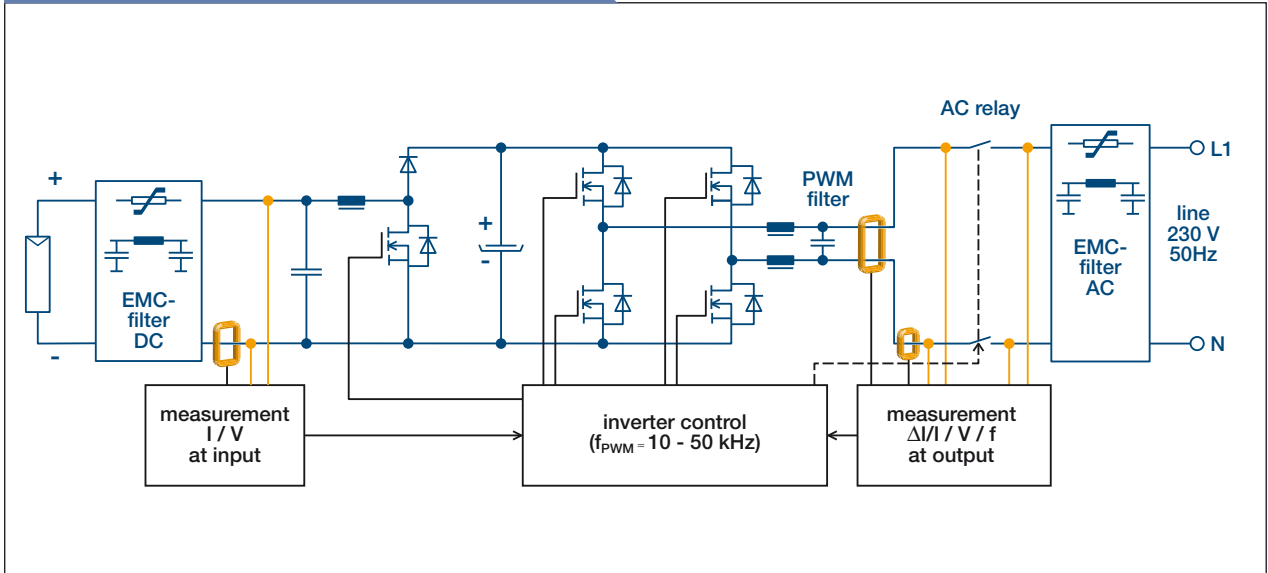


- No galvanic insulation
- DC current injection in the Grid
- Leakage current

Without DC chopper

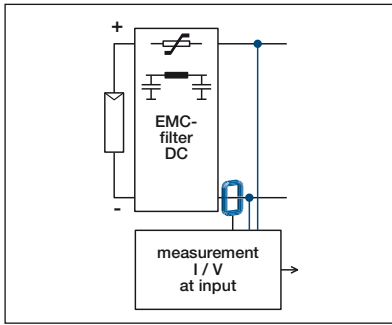


With DC chopper (or step up converter)

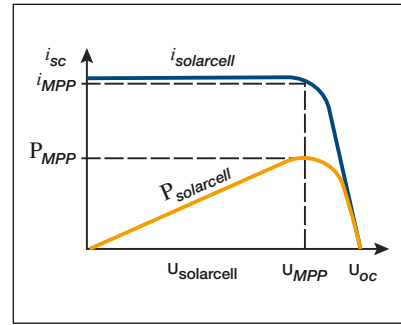


- Wide voltage Input range

MPPT Control: current & voltage measurements of the solar panel



For each different topology, the **current and voltage measurement of the solar panel side** is done in order to know current and voltage generated and to define the MPP (Maximum of Peak Power Point) where the maximum output wattage can be extracted from the solar panel.



- ➔ Low dynamic
- ➔ Medium accuracy
- ➔ Open Loop Hall effect current transducers
- ➔ Closed Loop Hall effect voltage transducers

Current measurement	Accuracy at +25°C	Linearity	Gain error	Response time
Requirement	1 %	1 %	0.5 %	5 μS

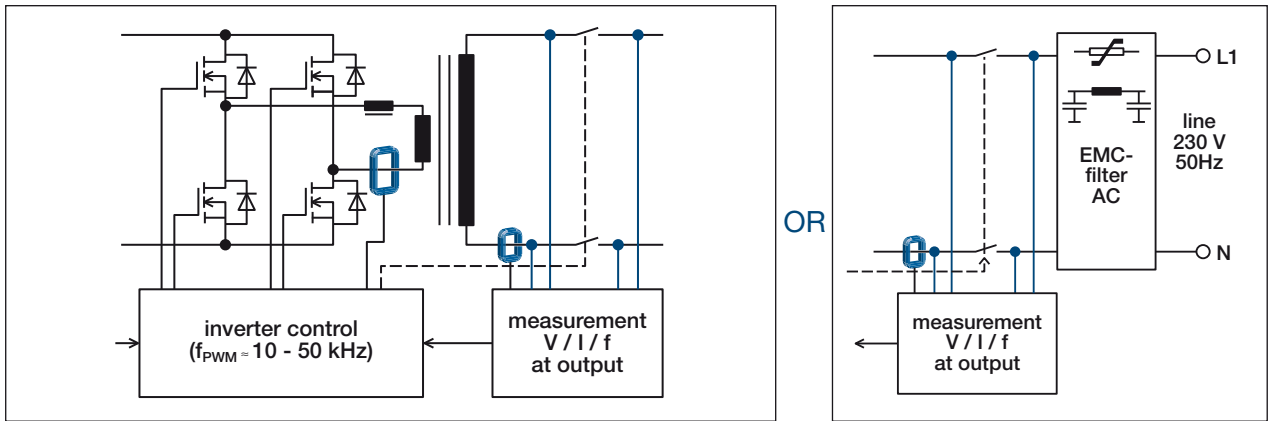
Open Loop Hall effect current transducers	Nominal Range	Measuring range	Power Supply (DC)	Offset Drift	Gain Drift	Picture
HX series HXN series	2... 50 A	3 x I _{PN}	+/- 15 V	1.5 mV/K	0.1 %/K	
HXS series	5... 50 A	3 x I _{PN}	+ 5 V	0.2 mV/K	0.05 %/K	
HMS series	5... 20 A	3 x I _{PN}	+ 5 V	0.2 mV/K	0.07 %/K	

Voltage measurement	Accuracy at +25°C	Linearity	Response time
Requirement	0.9 %	0.2 %	40 μS

Closed Loop Hall effect voltage transducer	Nominal Range	Measuring range	Power Supply (DC)	Offset Drift	Gain Drift	Picture
LV 25-P	10... 500 V	1.4 x V _{PN}	+/- 12... 15 V	7.8 μA /K	Depending on external primary resistor used	

current & voltage transducer solutions

Inverter protection & control: current measurements

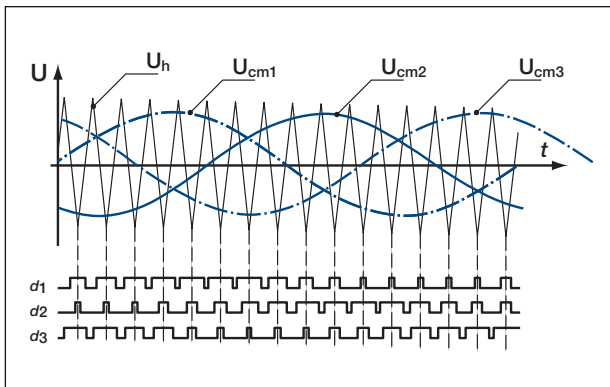


The current measurement can ensure 2 tasks:

- 1 **Control loop:** To control the inverter.
- 2 **Short-circuit or overload protection.**

1 **Control loop:** 2 kinds of signals:

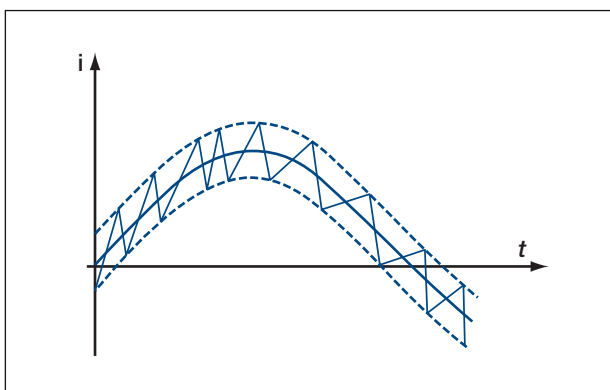
1.1 **PWM with carrier frequency:**



The current loop has a constant between 500 ns - 1 ms.

- Low dynamic
- Medium accuracy
- Open Loop Hall effect transducers

1.2 **PWM in closed loop (Sliding mode...)**



Output measurement and comparison versus reference.

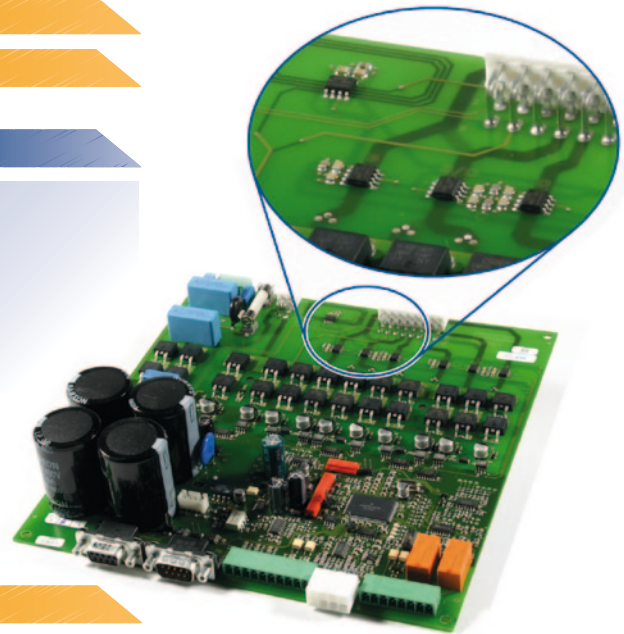
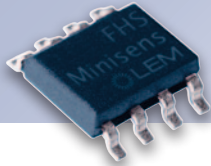
- High dynamic
- Accurate
- Closed Loop Hall effect transducers

Inverter protection & control: current measurements

2 Protection: Short circuit and overload protection:

2.1 Short circuit protection:

- High dynamic (Response time < 2 - 3 μ s)
- Medium accuracy
- Closed Loop Hall effect current transducers
- Open Loop Hall effect current transducers with fast output (FHS models)



Picture provided courtesy of PsiControl mechatronics

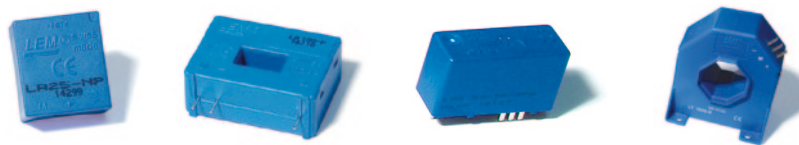
2.2 Overload protection:

- Medium dynamic (Response time < 5 μ s)
- Medium accuracy (3-5%)
- Open Loop Hall effect current transducers

Current measurement	Accuracy at +25°C	Linearity	Response time
Requirement	0.2... 0.6 %	0.1 %	< 1 μ S

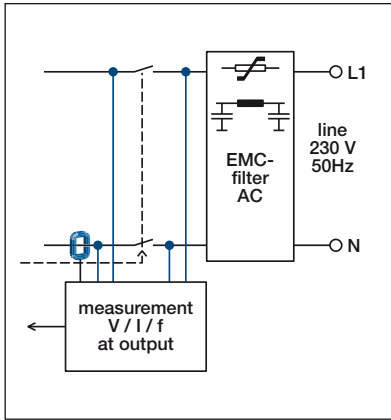
- High dynamic
- High accuracy

Closed Loop Hall effect current transducers	Nominal Range	Measuring range	Power Supply (DC)	Offset Drift	Gain Drift	Picture
LTSR series	2... 25 A	3.2 x I _{PN}	+ 5 V	0.375...0.1 mV/K	50 ppm/K	
LF series	100... 2000 A	1.5... 2.5 x I _{PN}	+/- 12...15 V	6.7... 8.9 μ A/K	N/A	



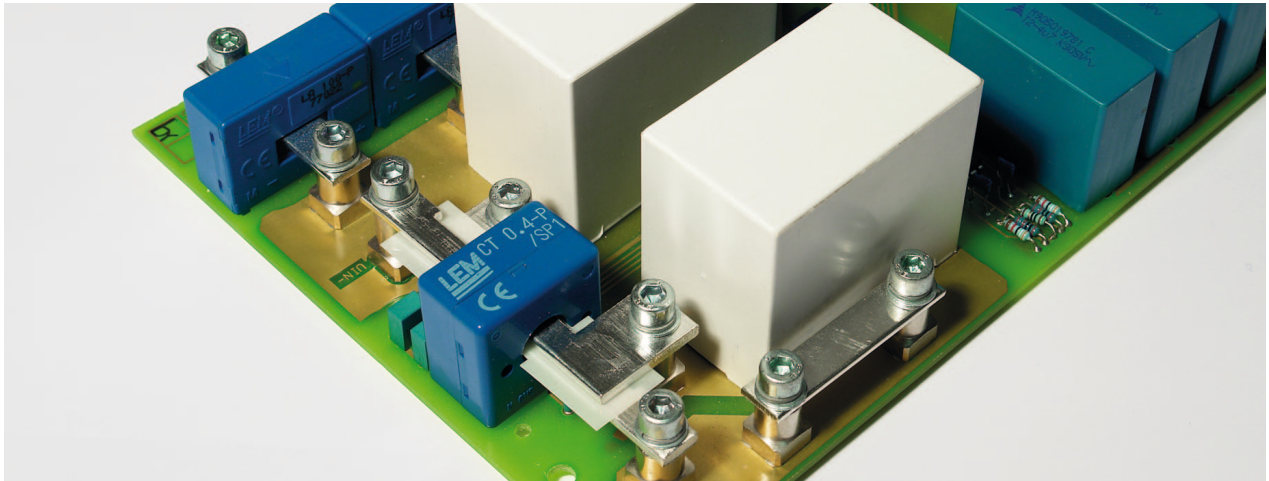
Current transducer solutions

DC current injection measurement



In the transformerless designs and in the High Frequency transformer designs, the DC current injected in the grid must be controlled (10mA... 1A) according to different standards per country (IEC 61727, IEEE 1547, UL 1741...)


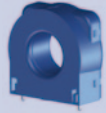
- ➔ High accuracy (< 1 %)
- ➔ Very low offset drift
- ➔ Closed Loop Fluxgate current transducers



Picture provided courtesy of SolarMax by Sputnik Engineering

Current measurement	Accuracy at +25°C	Offset Drift	Gain Drift
Requirement	< 1 %	Low	Low

- ➔ High accuracy
- ➔ Very low offset & gain drifts

Closed Loop Fluxgate current transducers	Nominal Range	Measuring range	Power Supply (DC)	Offset Drift	Gain Drift	Picture
CAS /CASR / CKSR series	2... 50 A	$3 \times I_{PN}$	+ 5 V	0.2...0.0175 mV/K	40 ppm/K	
CTSR 0.3-P	0.3 A	$1.66 \times I_{PN}$	+ 5 V	0.64 mV/K	10 ppm/K	

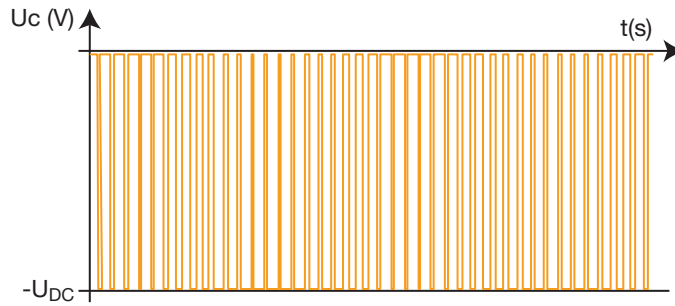
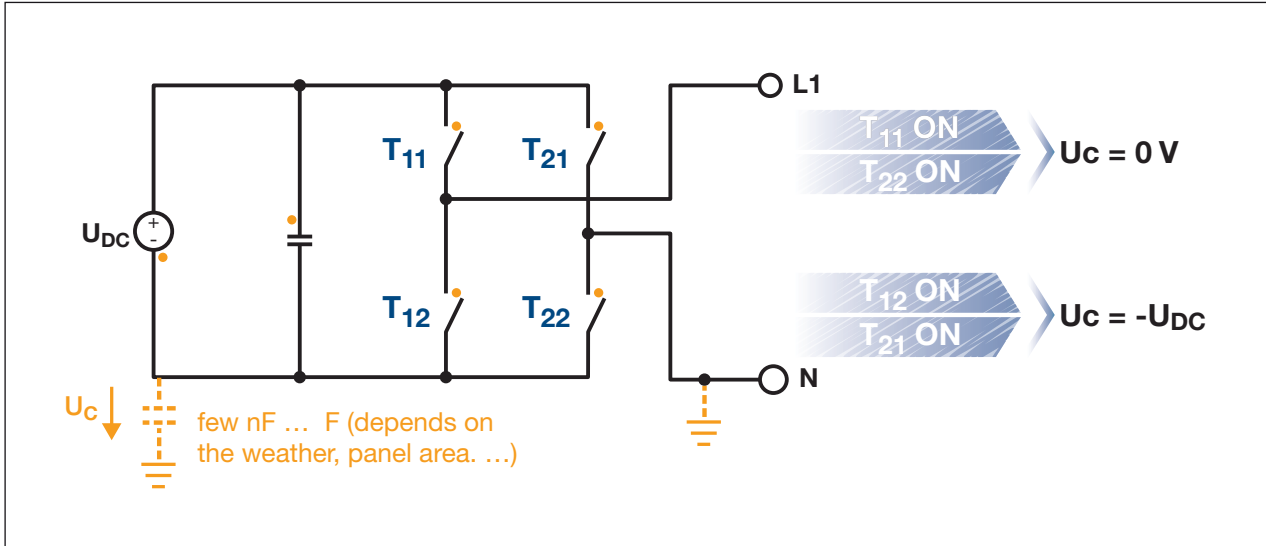
Current transducer solutions

Leakage current measurement


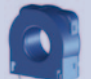
Some leakage currents can happen in the transformerless inverter designs.

From the simplified representation of the transformerless inverter design (hereafter) (without resonance between components like PV panel, AC filter, grid impedance), this emphasizes that:

- Electric shock is possible if a person touches the PV panels,
- The leakage current can cause electromagnetic interferences, grid current distortion and additional losses in the system (depending on PWM).



Current measurement	Accuracy at +25°C	Nominal current range	Aperture
Requirement	< 1 %	Between 0.1... 0.4 V	Large for differential measurement

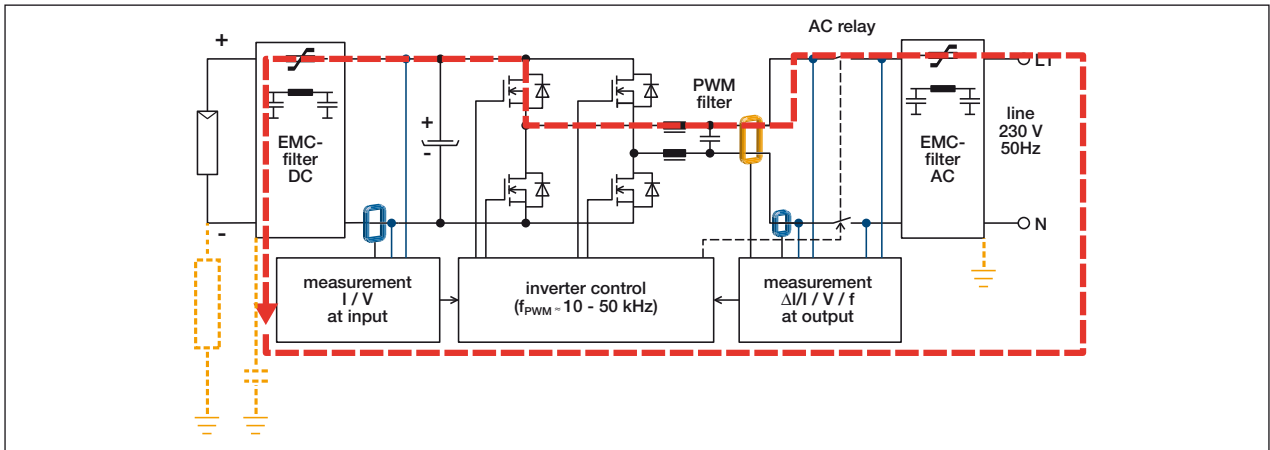
Open and Closed Loop Fluxgate current transducers	Nominal Range	Measuring range	Power Supply (DC)	Offset Drift	Gain Drift	Aperture	Picture
CT -P series	0.1... 0.4 A	$2 \times I_{PN}$	+/- 15 V	2... 8 mV/K	0.05 %/K	11 mm diameter	
CTSR 0.3-P	0.3 A	$1.66 \times I_{PN}$	+ 5 V	0.64 mV/K	10 ppm/K	20 mm diameter	

Current transducer solutions

Leakage current measurement

For safety reasons, the leakage current is measured for control.
As a safety device, the current measurement is preferred to be a non contact, non intrusive measurement.

- ➔ Small AC (50/60 Hz) current measurement (< 1 A)
- ➔ Aperture big enough for several primary conductors crossing (differential measurement)
- ➔ Open & Closed loop Fluxgate current transducers

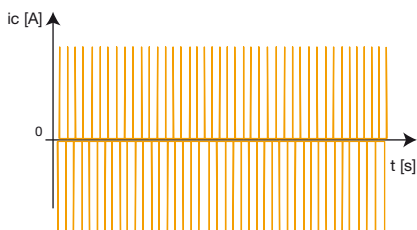
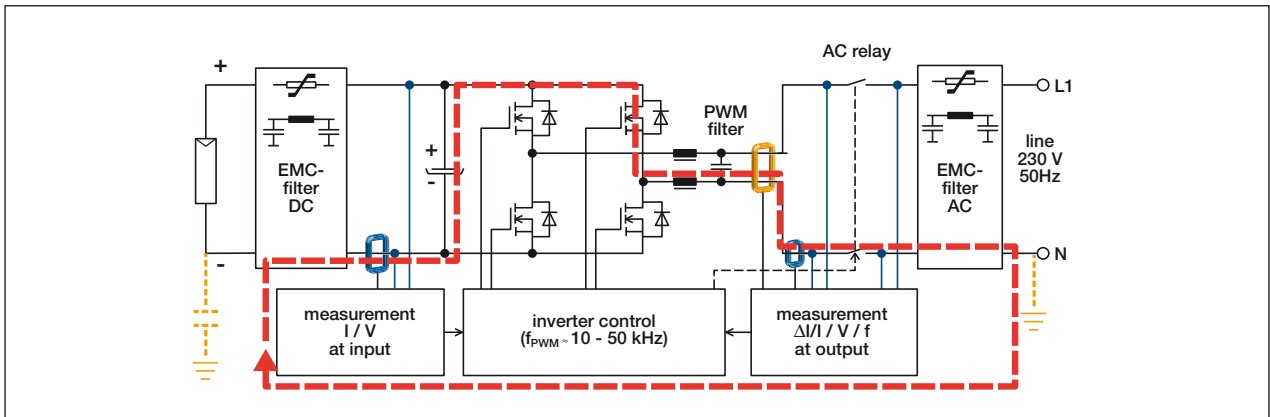


A high frequency (several 10 KHz) current spike and 50/60 Hz leakage current can also happen in the leakage capacitance.

Depending on the inverter topology, the spikes can be avoided.

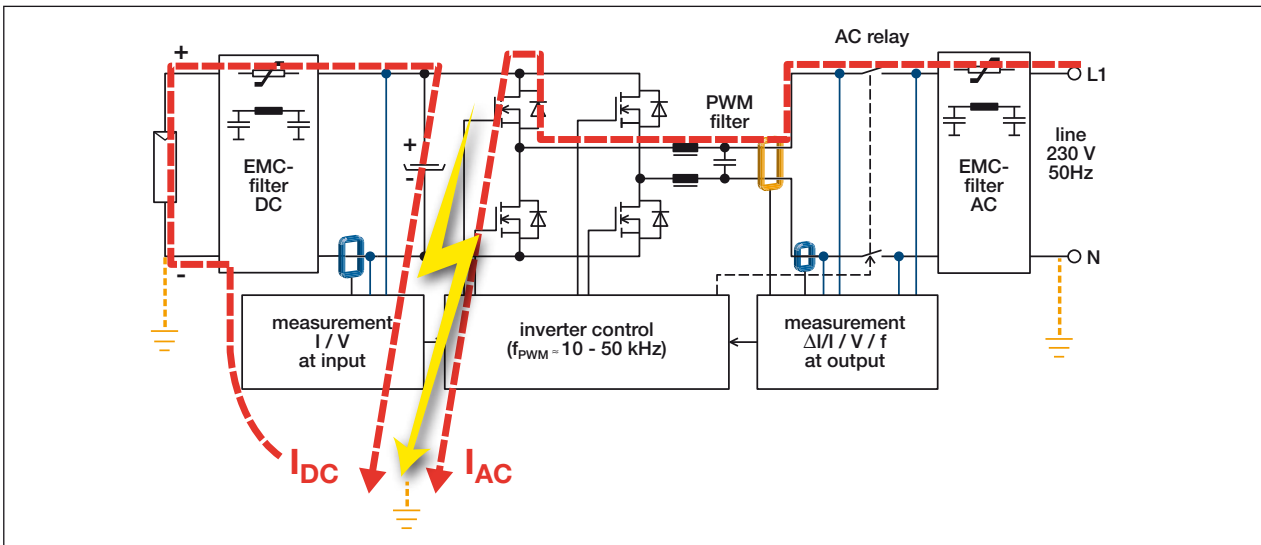
These high frequency ones are not detected by the current transducer (limited bandwidth).

The value of the capacitive current (50/60 Hz) depends on the solar panel surface on weather conditions.



Earth fault current measurement

For safety reasons, the earth fault current or insulation defect has to be controlled in the transformerless designs.



The transducer used to measure the earth fault current must be able to measure AC and DC signals as the earth fault current could be AC or DC current depending where the fault (could be a short circuit for example) occurs and if the PV panel is grounded or not.

- ➔ Small AC & DC currents measurement (<1 A)
- ➔ Aperture big enough for several primary conductors crossing (differential measurement)
- ➔ Open & Closed loop Fluxgate current transducers

Supervision and control of solar power plants

The construction of new **solar power plants** has increased significantly the last years.

A wide range of companies decided to invest into the construction of solar power plants to resell the energy generated to the energy providers.

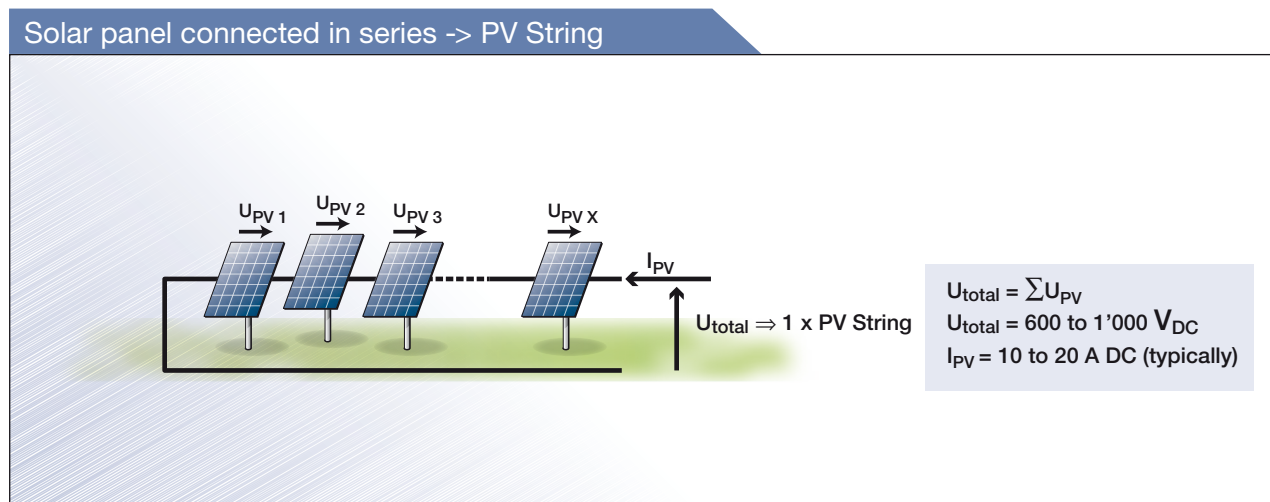
The concept is simple; a lot of solar panels are connected in series to form what is called "**PV Strings**" (PV for Photovoltaic), they are connected in parallel to produce a lot of MWp and then inject into the grid.

Recently we have seen the rise of "green" towns that have implemented this kind of solar power plants. Specialized companies are contacting towns to install these plants in the most appropriate areas (a lot of sunshine). This allows previously un-industrialized towns to benefit from renting out the land and also generates local taxes. These towns can also receive subventions granted by the various governments promoting sustainable energy.

Terrains without any value are becoming a non-negligible source of revenue for some areas.

How it works?

Generally, solar panels are connected in series in order to generate the required voltage and then to form a "**PV String**".



Each PV string can be connected in parallel (to increase the generated current keeping the voltage at the required level). Then, they are connected to a multi-strings inverter, which will transfer the produced power to the grid.

The generated current and voltage must match the input values of the inverter.

The series and parallel connections of the solar panels and PV strings need to be compatible with the inverter used.

Thousands of solar panels are required to build a solar plant, and the performance of the overall installation has to be monitored in order to maximize its efficiency.

The inverter used for the conversion of the power to the grid will ensure a part of this efficiency by tracking if the **MPP** (Maximum Power Point for the generated current and voltage) is reached for the total installation.

At this level, just before going into the inverter, the detection of any defective solar panel, reducing the total efficiency of the installation, can be made in real time.

When several PV strings are connected in parallel to go to the inverter, a current inversion in a PV string can happen. This will lead to the destruction, as it will need to handle the power of all the other PV strings. A protection needs to be installed.

A simple way to detect a defective solar panel is to check the current produced by each PV string. A comparison of the current generated by each PV string allows evaluating if they each produce the same level. Some levels of unbalance between PV strings can be set to trigger an alarm if they are reached.

The inverters integrate the current measurement, but the system integrators need more details or want to be independent from the inverter equipment.

In order to be the most efficient, **the current has to be measured on each PV string.**

This will allow adapting the parameters to adjust the MPP of the respective solar string, but also to detect any defective solar panel that is part of the solar string (reducing the efficiency of the solar string substantially).

For solar plants that are equipped with motorized panels, the current control will also allow the solar panel orientation tracking versus the sun position; this will give the best yield.

Some companies propose boxes for the parallel connection of the PV strings including these functions. They are often called “**combiner boxes**” (but also “**smart combiner boxes**” or “**array boxes**”) integrating the **current and voltage measurements for each string** and checking several PV strings.

Additional electronics for the current measurement conditioning can also be integrated into these boxes in order to provide the acquisition system with the necessary signals.

Analysis is carried out, some alarms can be set if programmed thresholds are reached.

This allows maintenance to be planned; actions are targeted and realized straight away. **Time is saved!**

Solar plants can vary in size but in general each 100 kWp needs to go through a grid transformer.

It is possible to have strings from 3 to 40 PV (ideally: 8 PV strings) going through the combiner box, connected to the inverter before the grid transformer.

Each PV string can be under 600 to 1000 V_{DC} with a current from 10 to 50 (even 100, 200 and 300) A_{DC} .

The combiner box is connected to the inverter under 600 to 1000 V_{DC} and supplies the sum of all the currents delivered by each PV string (from 30 to 300 A_{DC}).

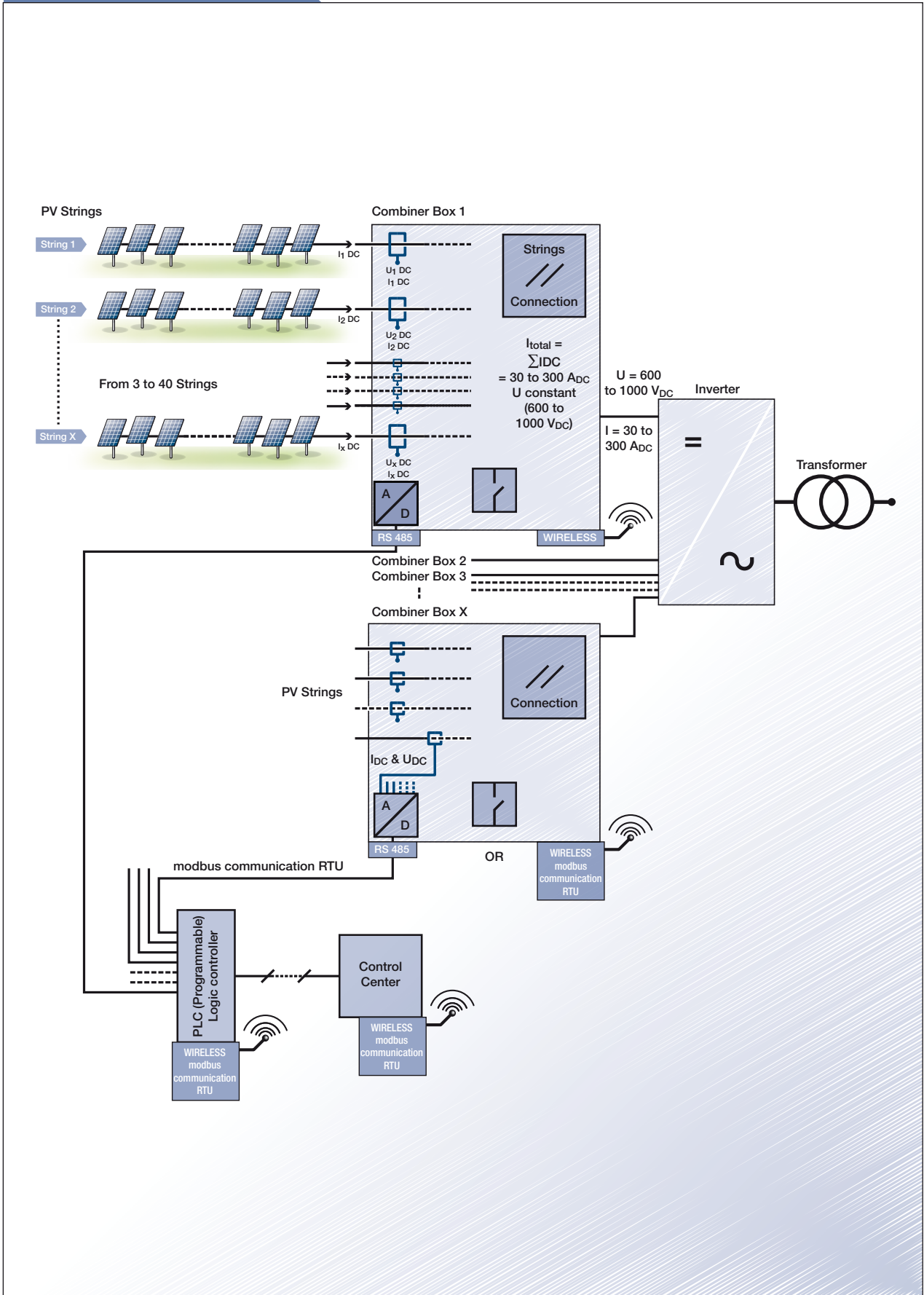
Usually the collected data (currents and voltages) are converted to digital signals for a RS-485 Modbus communication (RTU) to feed PLCs (Programmable Logic Controller) communicating with a control center that is able to change some remote parameters or to repair some defective solar panels.

Systems can be fitted with other equipment for wireless Modbus communications, to acquire data on dedicated servers for online checking or for a remote detection of any incident, and real time information.

Circuit breakers can also be part of the combiner box for each PV string as well as protections that for lightning, hotspots, back load among strings where current measurements can be really active for these functions.

A site of 1 MWp would need around 25/30 measuring combiner boxes (8 strings) i.e 200/240 current DC transducers and 200/240 voltage DC transducers.

This kind of installation is also becoming popular for large roofs of plants, farms or public buildings where the principle is exactly the same.






Current measurement	Accuracy at +25°C	Nominal current range	Aperture	Output	Mounting	Isolation
Requirement	0.5 % to 2 % 3 % if split core	Between 0... 300 A	1.6 to 30 mm diameter Solid or split core	Instantaneous current or voltage output or conditioned voltage or current output 0-10 V 4-20 mA to fit to PLCs	PCB, DIN rail or panel mounting	1500 V

Open and Closed Loop Hall effect current transducers	Nominal Range	Measuring range	Power Supply (DC)	Accuracy at +25°C	Mounting	Aperture	Primary conductor inserted	Output	Picture
LTS/LTSR series	2... 25 A	$3.2 \times I_{PN}$	+5 V	0.7 %	PCB	YES	YES	Inst. Voltage	
CAS/CASR/CKSR series	2... 50 A	$3 \times I_{PN}$	+5 V	0.8 %	PCB		YES	Inst. Voltage	
HXS series	5... 50 A	$3 \times I_{PN}$	+5 V	1.4 %	PCB		YES	Inst. Voltage	
LA 25-NP	5... 25 A	$1.4 \times I_{PN}$	+/- 15 V	0.5 %	PCB		YES	Inst. Current	
LAX 100-NP	16.7... 100 A	$1.6... 3.2 \times I_{PN}$	+/- 12... 15 V	0.55... 0.7 %	PCB		YES	Inst. Current	
LA 55-P	50 A	$1.4 \times I_{PN}$	+/- 12... 15 V	0.65 %	PCB	YES		Inst. Current	
LA 100-P	100 A	$1.5 \times I_{PN}$	+/- 12... 15 V	0.45 %	PCB	YES		Inst. Current	
LA 150-P	150 A	$1.3 \times I_{PN}$	+/- 15 V	0.85 %	PCB	YES		Inst. Current	
LA 125-P	125 A	$1.6 \times I_{PN}$	+/- 12... 15 V	0.8 %	PCB	YES		Inst. Current	
LA 200-P	200 A	$1.5 \times I_{PN}$	+/- 12... 15 V	0.65 %	PCB	YES		Inst. Current	
LF 205-S	200 A	$2.1 \times I_{PN}$	+/- 12... 15 V	0.4 %	Panel	YES		Inst. Current	
LF 305-S	300 A	$1.6 \times I_{PN}$	+/- 12... 20 V	0.3 %	Panel	YES		Inst. Current	
HAS 50...600-S series	50... 600 A	$1.5... 3 \times I_{PN}$	+/- 15 V	3 %	Panel	YES		Inst. Voltage	
HASS 50...600-S series	50... 600 A	$1.5... 3 \times I_{PN}$	+5 V	1.4 %	Panel	YES		Inst. Voltage	
DHR 100 ...400C420	100... 400 A		20... 50 V	1 %	Panel	YES		4-20 mA	
DHR 100 ...400C10	100... 400 A		20... 50 V	1 %	Panel	YES		0-10 V _{DC}	
DK 100B420	50, 75, 100 A		20... 50 V	1 %	Panel	YES		4-20 mA	
DK 20C420	5, 10, 20 A		20... 50 V	1 %	Panel	YES		4-20 mA	

Current transducer solutions



Voltage measurement	Accuracy at +25°C	Nominal voltage range	Output	Mounting
Requirement	1 %	Up to 1000 V	Instantaneous current or voltage output or conditioned voltage or current output 0-10 V, 4-20 mA to fit to PLCs	PCB, DIN rail or panel mounting

Closed Loop Hall effect current transducers	Nominal Range	Measuring range	Power Supply (DC)	Accuracy at +25°C	Mounting	Primary resistor inserted	Output	Picture
LV 25 P/SP2	10... 1500 V	$1.4 \times V_{PN}$	+/- 15 V	0.9 %	PCB	NO	Inst. Current	
LV 25-800 LV 25-1000	800 V 1000 V	$1.5 \times V_{PN}$	+/- 12... 15 V	0.9 %	Panel	YES	Inst. Current	
AV 100-1000	1000 V	$1.5 \times V_{PN}$	+/- 12... 24 V	0.7 %	Panel	YES	Inst. Current	

Voltage transducer solutions

Europe • Middle East

Austria and CEE
LEM
 Concorde Business Park 2/F/6
 A-2320 Schwechat
 Tel. +43 1 706 56 14-10
 Fax +43 1 706 56 14-30
 e-mail: tbu@lem.com

Belarus and Baltic Republics
DACPOL Sp. z. o. o
 Ul. Pulawska 34
 PL-05-500 Piaseczno
 Tel. +48 22 7035100
 Fax +48 22 7035101
 e-mail: dacpol@dacpol.com.pl

BeNeLux
LEM Belgium sprl-bvba
 Route de Petit-Roeulx, 95
 B-7090 Braine-le-Comte
 Tel. : +32 67 55 01 14
 Fax : +32 67 55 01 15
 e-mail : lbe@lem.com

Bosnia, Croatia, Herzegovina, Serbia and Slovenia
Proteus Electric S.r.l.
 Via di Noghère 94/1
 I-34147 Muggia-Aquillina
 Tel. +39 040 23 21 88
 Fax +39 040 23 24 40
 e-mail: dino.fabiani@proteuselectric.it

Czech Republic, Slovakia
PE & ED Spol. s.r.o
 Dipl.-Ing. Petr Chlebis
 Koblovská 101/23
 CZ-71100 Ostrava
 Tel. +420 59 6239256
 Fax +420 59 6239531
 e-mail: peedova@peed.cz

Denmark
Motron A/S
 Torsovej 3
 DK-8240 Risskov
 Tel. +45 87 36 86 00
 Fax +45 87 36 86 01
 e-mail: motron@motron.dk

Finland
ETRA Electronics Oy
 Lampputie 2
 FI-00740 Helsinki
 Tel. +358 207 65 160
 Fax +358 207 65 23 11
 e-mail: markku.soittila@etra.fi

France
LEM France Sarl
 15, avenue Galois
 F. 92340 Bourg-La-Reine
 Tel. +33 1 45 36 46 20
 Fax +33 1 45 36 06 16
 e-mail: lfr@lem.com

Germany
 Central Office:
LEM Deutschland GmbH
 Frankfurter Strasse 74
 D-64521 Gross-Gerau
 Tel. +49 6152 9301 0
 Fax +49 6152 8 46 61
 e-mail: postoffice.lde@lem.com

Hauber & Graf electronics GmbH
 Bavaria / Baden Württemberg
 Höpfigheimer Str. 8
 D-71711 Steinheim
 Tel. +49 7144 33905-0
 Fax +49 7144 33905-55
 e-mail: info@hg-electronics.de

Hungary
Orszaczky Trading LTD.
 Korányi Sandor U, 28
 H-1089 Budapest
 Tel. +36 1 314 4225
 Fax +36 1 324 8757
 e-mail: info@orszaczky.hu

Israel
Ofer Levin Technological
 Application
 PO Box 18247
 IL- Tel Aviv 611 81
 Tel. +972 3 5586279
 Fax +972 3 5586282
 e-mail: ol_teap@netvision.net.il

Italy
LEM Italia Srl
 via V. Bellini, 7
 I-35030 Selvazzano Dentro, PD
 Tel. +39 049 805 60 60
 Fax +39 049 805 60 59
 e-mail: lit@lem.com

Norway
Holst & Fleischer A/S
 Stansveien 6B
 N-0975 Oslo
 Tel. +47 2333 8500
 Fax +47 2333 8501
 e-mail: hf@hf-elektro.no

Poland
DACPOL Sp. z o.o.
 Ul. Pulawska 34
 PL-05-500 Piaseczno
 Tel. +48 22 7035100
 Fax +48 22 7035101
 e-mail: dacpol@dacpol.com.pl

Portugal
qEnergia, Lda
 Praceta Cesário Verde - 10 S/Cave
 P-2745-740 Massamá
 Tel. +351 214 309320
 Fax +351 214 309299
 e-mail: qenergia@qenergia.pt

Romania
SYSCOM -18 Srl.
 Calea Plevnei 139B Sector 6
 RO-060011 Bucharest
 Tel. +40 21 310 26 78
 Fax +40 21 316 91 76
 e-mail: george.barbalata@syscom18.com

Russia
 Central Office:
TVELEM
 Marshall Budionny Str.11
 170023 Tver / Russia
 Tel. +7 48 22 743 951
 Fax +7 48 22 743 955
 e-mail: tvelem@lem.com

TVELEM
 Leningradskoe shosse, 58
 Building 14, room 7
 125212 Moscow
 Tel. +7 495 788 13 89
 Fax +7 495 788 13 89
 e-mail: tvelem@lem.com

TVELEM
 V.O., 2 linia, 19, Liter „A“
 199053 S. Petersburg
 Tel. +7 812 323 83 83
 Fax +7 812 323 83 83
 e-mail: info@maglem.ru

Scandinavia
LEM
 Hassellunden 16
 2765 Smorum
 Tel. +45 88 24 5555
 e-mail: kck@lem.com

Spain
LEM France Sarl
 15, avenue Galois
 F-92340 Bourg-la-Reine
 Tel. +34 93 886 02 28
 Fax +34 93 886 02 87
 e-mail: slu@lem.com

Sweden
ADIATOR AB
 Hälsingegatan 40
 SE-11343 Stockholm
 Tel. +46 8 729 1700
 Fax +46 8 729 1717
 e-mail: info@adiator.se

Beving Elektronik AB
 Storsåtragränd 10
 S. 12739 Skårholm
 Tel. +46 8 680 1199
 Fax +46 8 680 1188
 e-mail: lars.g.pahlsson@beving.se

Switzerland
SIMPEX Electronic AG
 Binzackerstrasse 33
 CH-8622 Wetzikon
 Tel. +41 44 931 10 30
 Fax +41 44 931 10 31
 e-mail: contact@simpex.ch

LEM SA
 8, Chemin des Aulx
 CH-1228 Plan-les-Ouates
 Tel. +41 22 706 11 11
 Fax +41 22 794 94 78
 e-mail: lsa@lem.com

Turkey
Özdisan Elektronik Pazarlama
 DES Sanayi Sitesi,
 104.Sok.A07 Blok N°:02
 TR-34776 Y.Dudullu
 Umraniye / Istanbul
 Tel. +90 216 420 1882
 Fax +90 216 466 3686
 e-mail: sbalta@ozdisan.com

Ukraine
 "SP DACPOL" Co Ltd.
 Snovskaya str., 20
 UA-02090, KIEV, UKRAINE
 Tel. +380 44 501 93 44
 Fax +380 44 502 64 87
 e-mail: kiev@dacpol.com

United Kingdom and Eire
LEM UK Ltd
 West Lincs
 Investment Centre
 Whittemoss Business Park
 Skelmersdale, Lincs WN8 9TG
 Tel. +44 1 695 71 25 60
 Fax +44 1 695 71 25 61
 e-mail: luk@lem.com

Africa • America

Argentina
Semak S.A.
 Av. Belgrano 1580, 5° Piso
 AR-1093 BUENOS AIRES
 Tel. +54 11 4381 2108
 Fax +54 11 4383 7420
 e-mail: comex@semak.com.ar

Brazil
AMDS4 Imp. Exp. e Com. de Equip. Electr. Ltda.
 Rua Doutor Uliãa Cintra, 489,
 Centro 13800-061 -
 Moji Mirim - Sao Paulo - Brazil
 Tel. +55 19 3806 1950 / 8509
 Fax +55 19 3806 8422
 e-mail: jeduardo@amds4.com.br

Canada Ontario East
Optimum Components Inc.
 7750 Birchmount Road Unit 5
 CAN-Markham ON L3R 0B4
 Tel. +1 905 477 9393
 Fax +1 905 477 6197
 e-mail: mikkep@optimumcomponents.com

Canada Manitoba West
William P. Hall Contract Services
 7045 NE 137th st.
 CAN-Kirkland,
 Washington 98034
 Tel. +1 425 820 6216
 Fax +1 206 390 2411

South Africa
Denver Technical Products Ltd.
 P.O. Box 75810
 SA-2047 Garden View
 Tel. +27 11 626 20 23
 Fax +27 11 626 20 09
 e-mail: denvertech@pixie.co.za

U.S.A
 Central Office:
LEM U.S.A., Inc.
 11665 West Bradley Road
 USA Milwaukee, WI 53224
 Tel. +1 414 353 07 11
 Toll free: 800 236 53 66
 Fax +1 414 353 07 33
 e-mail: lus@lem.com

LEM U.S.A., Inc
 991, Michigan Avenue.
 USA-Columbus, OH 43201
 Tel. +1 414 353 07 11 ext. 200
 Fax +1 614 540 74 36
 Mobile +1 614 306 73 02
 e-mail: afg@lem.com

LEM U.S.A., Inc.
 37 Thornton Ferry Road II
 USA-Amherst, NH 03031
 Tel. +1 800 236 53 66 ext. 202
 Fax +1 603 672 71 59
 e-mail: gap@lem.com

LEM U.S.A., Inc.
 6275 Simms st.
 Suite # 110
 USA Arvada, CO 80004
 Tel. +1 800 236 53 66 ext. 201
 Fax +1 303 403 15 89
 e-mail: dlw@lem.com

LEM U.S.A., Inc.
 1151 Sanborn Avenue
 U.S.A - Los Angeles, CA 90029
 Tel. +1 800 236 53 66 ext. 206
 Fax +1 323 908 04 67
 e-mail: dbl@lem.com

Asia • Pacific

Australia and New Zealand
Fastron Technologies Pty Ltd.
 25 Kingsley Close
 Rowville - Melbourne -
 Victoria 3178
 Tel. +61 3 9763 5155
 Fax +61 3 9763 5166
 e-mail: sales@fastron.com.au

China
Beijing LEM Electronics Co. Ltd
 No. 28, Linhe Str. Linhe
 Industrial Development Zone
 Shunyi District, Beijing, China
 Post code : 101300
 Tel. +86 10 89 45 52 88
 Fax +86 10 80 48 43 03
 +86 10 80 48 31 20
 e-mail: bj@lem.com

Beijing LEM Electronics Co. Ltd
 Shanghai Office
 Room 510
 Hualian Development Mansion,
 Xinhua Road
 Changning District
 Shanghai, 200052 P.R. China
 Tel. +86 21 3226 0881

Fax +86 21 5258 2262
 e-mail: bj@lem.com
Beijing LEM Electronics Co. Ltd
 Shenzhen Office
 R1205, Liantai Mansion, Zhuzilin,
 Shennan Avenue, Futian District,
 Shenzhen 518040 P.R. China
 Tel. +86 755 3334 0779
 +86 755 3336 9609
 Fax +86 755 3334 0780
 e-mail: bj@lem.com

Beijing LEM Electronics Co. Ltd
 Xi'an Office
 R2909, HIBC, Technology Road 33,
 High-tech District, Xi'an
 710075 P.R. China
 Tel. +86 29 8833 7168
 Fax +86 29 8833 7158
 e-mail: bj@lem.com

India
LEM Management Services Sarl-
 India Branch Office
 Mr. Sudhir Khandekar
 Level 2, Connaught Place,
 Bund Garden Road,

Pune-411001
 Tel. +91 20 401 47 575
 Mobile +91 98 331 35 223
 e-mail: skh@lem.com
Globetek
 122/49, 27th Cross
 7th Block, Jayanagar
 IN-Bangalore-560082
 Tel. +91 80 2 663 57 76
 Fax +91 80 2 653 40 20
 e-mail: globetek@vsnl.com

Japan
LEM Japan K.K.
 2-1-2 Nakamachi
 J-194-0021Machida-Tokyo
 Tel. +81 4 2725 8151
 Fax +81 4 2728 8119
 e-mail: ljp@lem.com

LEM Japan K.K.
 1-14-24-701 Marunouchi,Naka-ku,
 Nagoya
 460-0002 Japan
 Tel. +81 52 203 8065
 Fax +81 52 203 8091
 e-mail: ljp@lem.com

Korea
S&H Trading
 #Ra-3701, Jungang Yootong Danji
 1258, Kurobon-Dong, Kuro-Ku,
 K-Seoul, 152-721
 Tel. +82 2 2686 83 46
 +82 2 2613 83 45
 Fax +82 2 2686 83 47
 e-mail: snhlim@yahoo.co.kr
Young Woo Ind. Co.
 C.P.O. Box 10265
 K-Seoul
 Tel. +82 312 66 88 58
 Fax +82 312 66 88 57
 e-mail: c.k.park@ygwoo.co.kr

Malaysia
Acei Systems SDN BHD
 1A & 1A-1, Lintasan
 Perajurit 6,
 Taman Perak
 31400 Ipoh
 Perak Darul Ridzuan
 Malaysia
 Tel. +60 5 547 0761/0771
 Fax +60 5 547 1518
 e-mail: enquiry@aceisys.com.my

Singapore
Overseas Technology Center Pte Ltd.
 Blk 1003 Bukit
 Merah Central
 Unit 06-16
 Technopreneur Centre
 RS-159 836 Singapore
 Tel. +65 6 272 60 77
 Fax +65 6 278 21 34
 e-mail: otcp@singnet.com.sg

Taiwan
POWERTRONICS CO. LTD
 The Tapei SUN-TECH Technology Park
 10th Floor, No. 252-2, Section 3,
 Beixin Road, Xindian City, Taipei
 County
 22143, Taiwan, R. O. C.
 Tel. +886 2 7741 7000
 Fax +886 2 7741 7001
 e-mail: sales@powertronics.com.tw
Tope Co., Ltd.
 3F-4, 716 Chung Cheng Road
 Chung Ho City, Taipei Hsien,
 Taiwan 235, R.O.C
 Tel. +886 2 8228 0658
 Fax +886 2 8228 0659
 e-mail: tope@ms1.hinet.net



LEM International SA
 8, Chemin des Aulx, CH-1228 Plan-les-Ouates
 Tel. +41/22/7 06 11 11, Fax +41/22/7 94 94 78
 e-mail: lsa@lem.com; www.lem.com

Publication CH 210102 (06.10)

Distributor